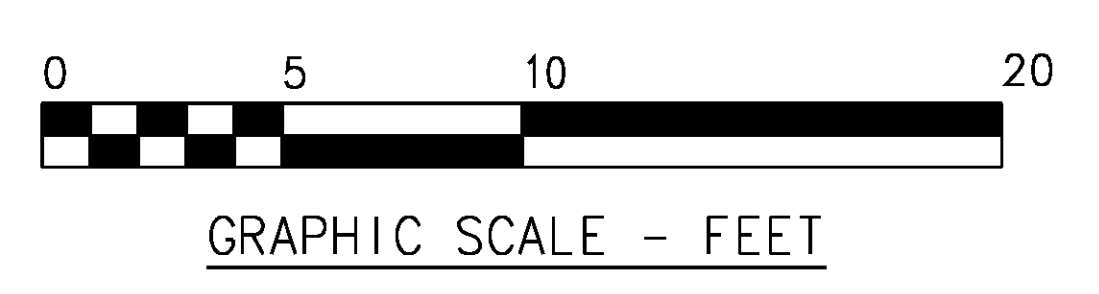
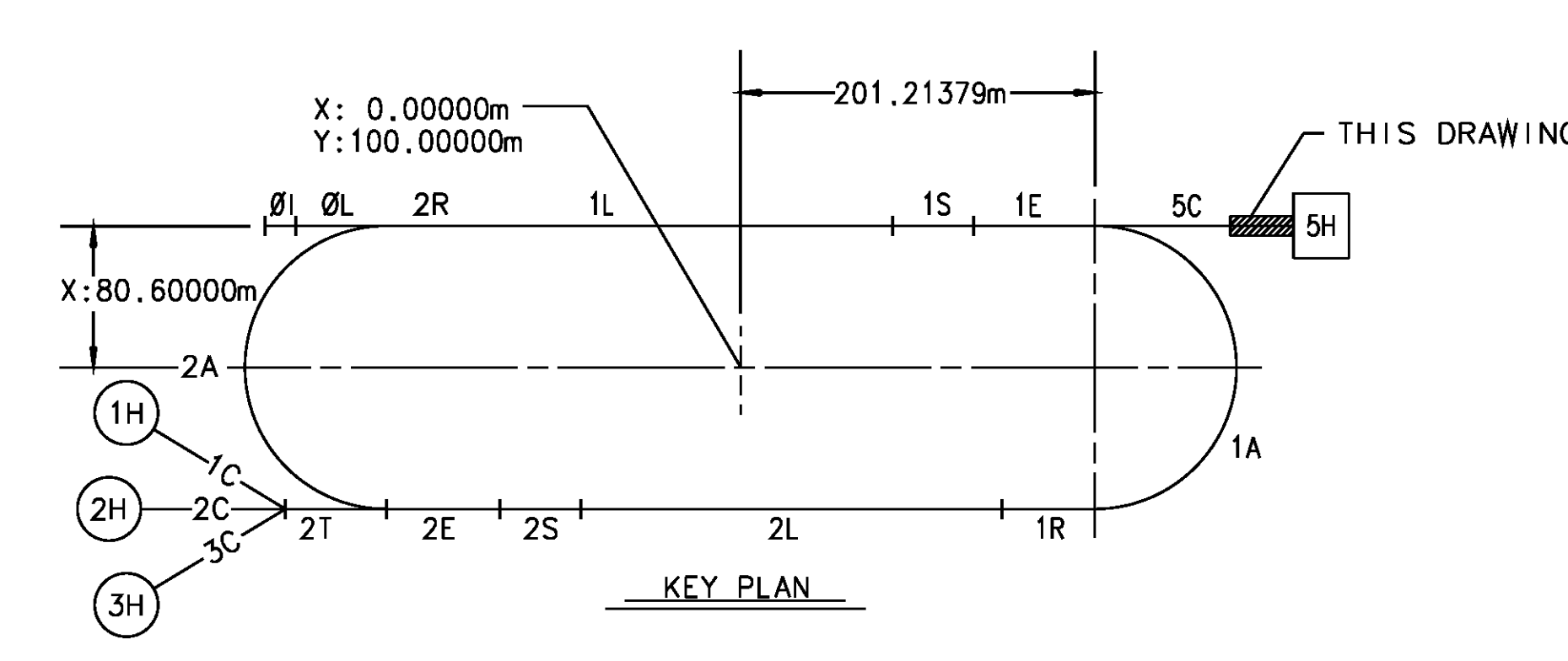
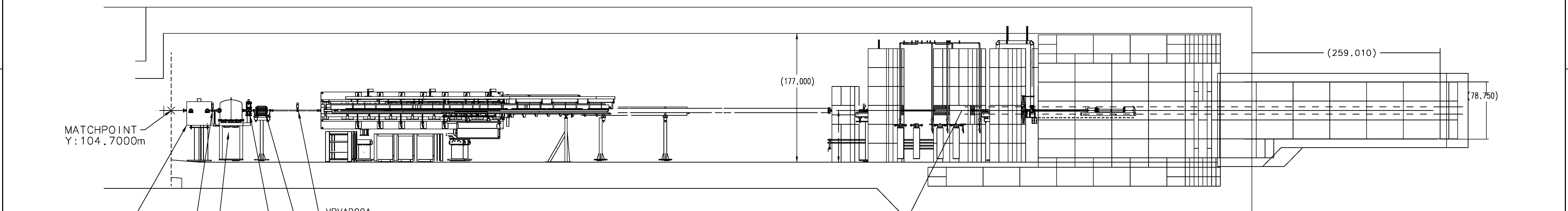
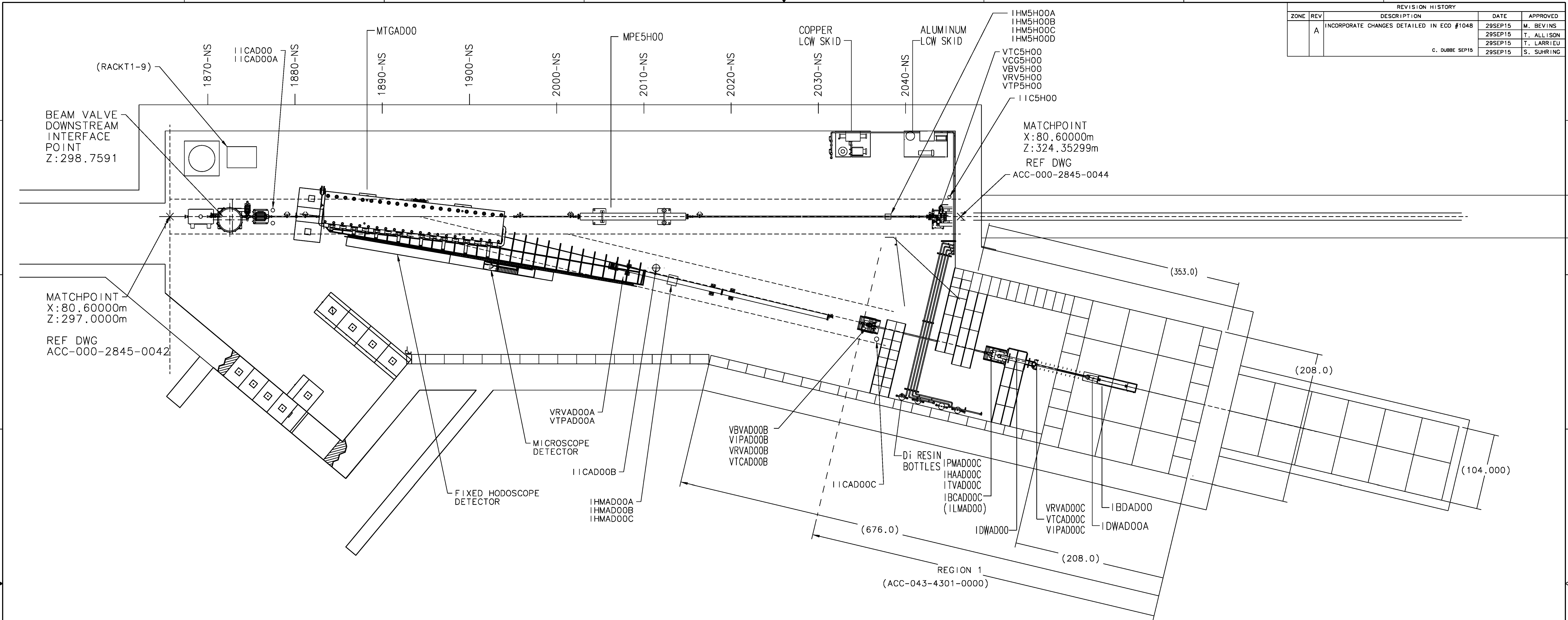


REVISION HISTORY				
ZONE	REV	DESCRIPTION	DATE	APPROVED
	A	INCORPORATE CHANGES DETAILED IN ECO #1048	29SEP15	M. BEVINS
			29SEP15	T. LARRIEU
			29SEP15	S. SUHRING



**LEGEND**

(INDICATING LOWEST ENERGY LINE SHOWN)

∅I INJECTOR	2A 2ND ARC
∅L PRE-ACCELERATOR	2T TRANSPORT CHANNEL 2
2R 2ND RECOMBINER	1C TRANSPORT CHANNEL TO HALL A
1L 1ST LINAC	1H HALL A
1S 1ST SPREADER	2C TRANSPORT CHANNEL TO HALL B
1E 1ST EXTRACTOR	2H HALL B
1A 1ST ARC	3C TRANSPORT CHANNEL TO HALL C
1R 1ST RECOMBINER	3H HALL C
2L 2ND LINAC	5C TRANSPORT CHANNEL TO HALL D
2S 2ND SPREADER	5H HALL D
2E 2ND EXTRACTOR	

DIMENSION UNITS	
XX.XXm = METERS	(XX.XX) = INCHES
XXX.XX = DECIMAL FEET	XX-XX* = FEET - INCHES

EACH SHEET OF MULTI-SHEET DRAWINGS SHALL ALWAYS HAVE THE SAME REVISION LEVEL.

UNIT & TOL PER ASME Y14.5 - UNLESS OTHERWISE SPECIFIED DIMENSIONS ARE IN INCHES TOLERANCES ARE:	TRACKING NO. N/A	United States Department of Energy	Jefferson Lab Thomas Jefferson National Accelerator Facility	Report No. Virginia
FRACTIONS ± N/A	DECIMAL ± .01	ANGLES ± .50°	APPROVALS	DATE
THIRD ANGLE PROJECTION	DRAWN C. HAYS	09NOV13	CHECKED C. DUBBE	09NOV13
FINISH MACHINED SURFACES 120° UNLESS OTHERWISE NOTED DO NOT SCALE DRAWING	APPROVED C. DUBBE	09NOV13	APPROVED M. BEVINS	09NOV13

SCALE 1/4" = 1'	SIZE DWG. NO. ACC-000-2845-0043	REV. A
SHEET 1 OF 1		

AREA	SIGNATURE	DATE	AREA	SIGNATURE	DATE
CASA	M. SPATA		VAC	J. HECKMAN	
INST	N. WILSON		DIA	M. SPATA	
CED	T. LARRIEU		MAG	T. HIATT	
			OPS	S. SUHRING	
			ALIGN	C. CURTIS	
			MEG	T. MICHALSKI	
			PWR	W. MERZ	