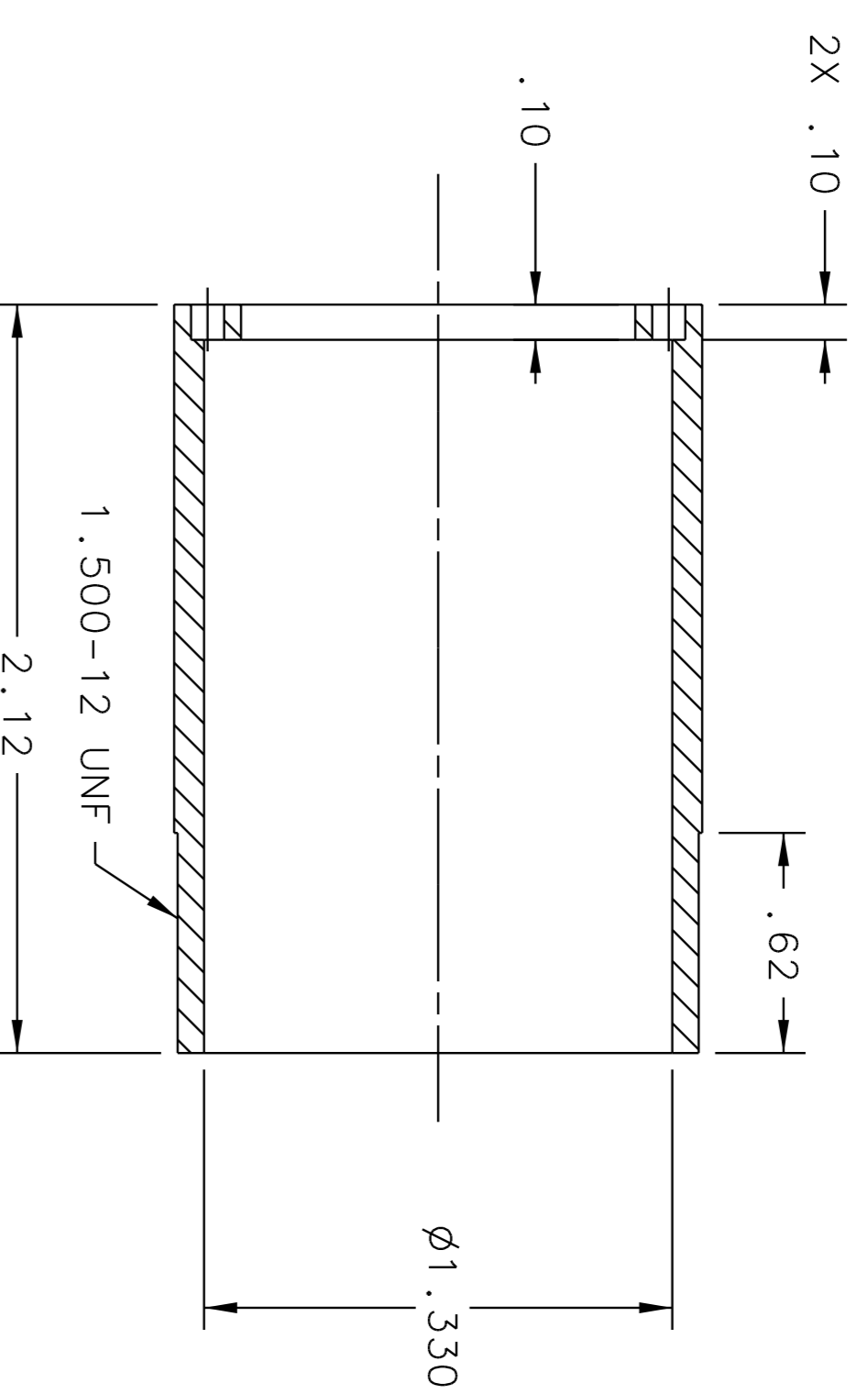
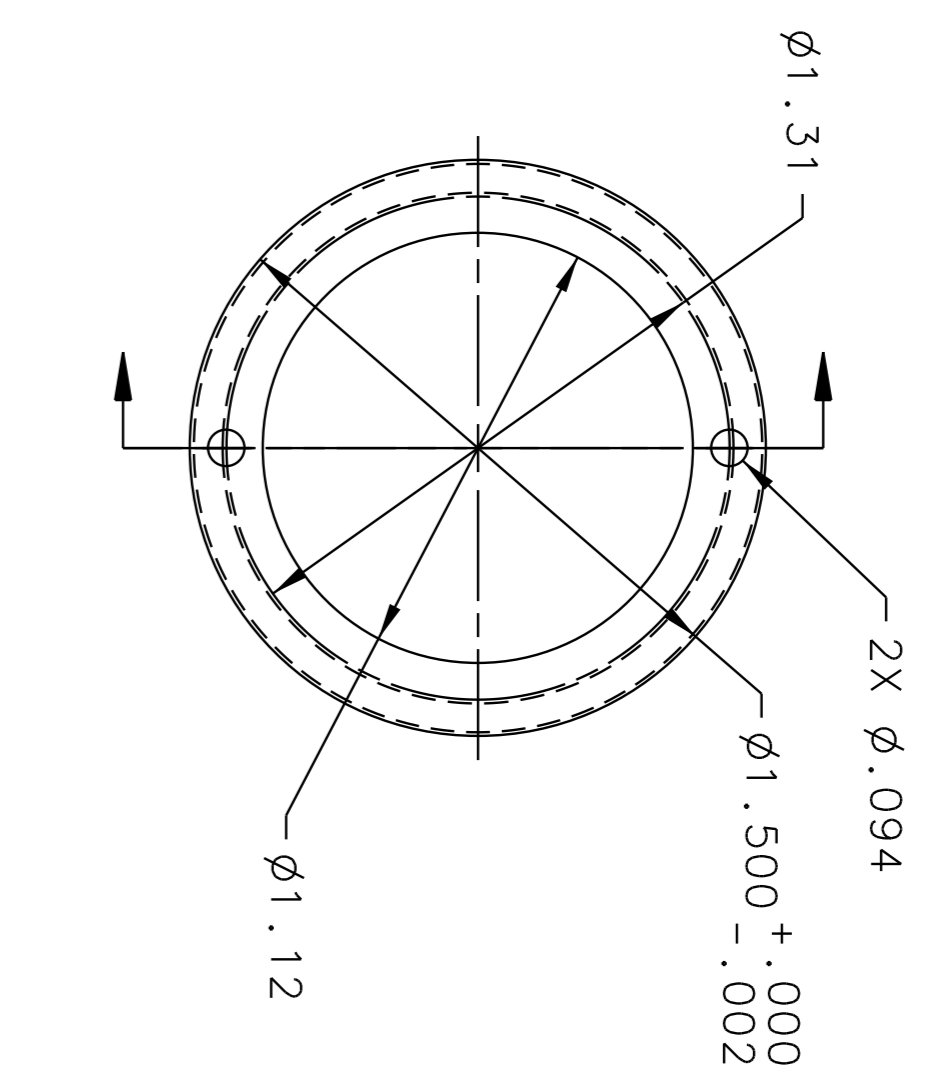
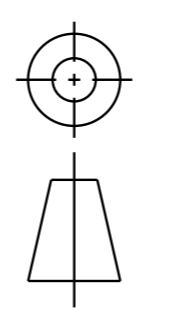


REVISION HISTORY			DATE	APPROVED
ZONE	REV	DESCRIPTION		



DOCUMENT CONTROL STAMP	UNIT & TOL. REG. TABLE Y14.5 DIMENSIONS ARE IN INCHES FRACTIONS DECIMAL ± N/A .XX ± .1 XXX ± .005	TRACKING NO. N/A	United States Department of Energy <b>Jefferson Lab</b> Central Electron Accelerator Facility Newport News Virginia
MATERIAL PLASTIC	THIRD ANGLE PROJECTION 	APPROVALS DRAWN C.L.HILIM 29M087 CHECKED APPROVED	TEST SETUP FORWARD CALORIMETER COUPLING DETAIL D00000 D00000-13-06-0101 SCALE 2/1
FINISH SURFACES UNLESS NOTED DEBURR & BREAK ALL SHARP EDGES	DO NOT SCALE DRAWING	APPROVED	REV -

4

3

2

1

A

B

C

D

A

B

C

D