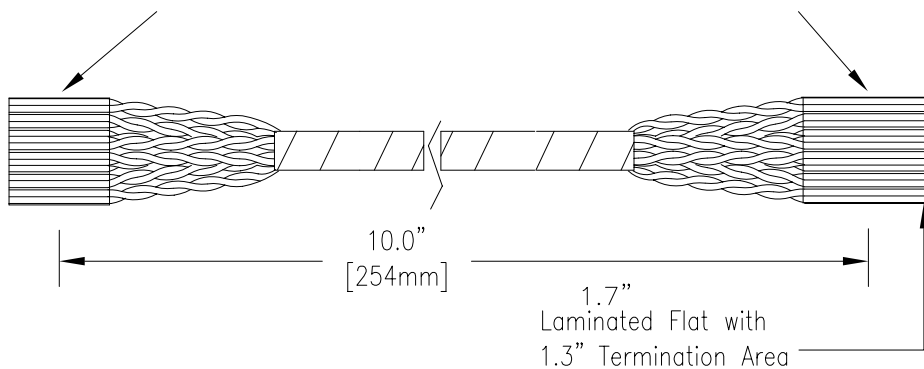


Center to Center Length between Flats: (Measured in Round Form)

10.5" In Round Form becomes 10.0" in Flat Preparation State.  
(Typically Allow 0.50"[12,7mm] Reduction in Center to Center Length for Re-establishing Flat Section for IDC Termination.)



Part Number	Count	Pairs	A Span	B Span	Ref Dia
320-3097-994	68	34	1.701" Nom	1.6750" Nom	@ Flat: .330" @ Loose Pairs: .320"

### PHYSICAL

Conductors: 30 AWG 7/38 Tinned Copper  
 Insulation: TPO  
 IDC Section Laminate: Polyester/Adhesive  
 Color Code: 1st Pair Red/White followed by Orange/White and Repeat  
 Filler: FR Polyester Fiber  
 Jacket: (2) .0005" Spiral Wrap of Clear Polyester, Heat Sealed Between Layers

### ELECTRICAL

Impedance: 90 ±6 Ohms<sup>1</sup> 122 ±10 Ohms<sup>2</sup>  
 Capacitance: 17.0 pF/ft Nom<sup>1</sup> 11.0 pF/ft Nom<sup>2</sup>  
 Propagation Delay: 1.50 ns/ft Nom  
 Current Rating: 0.75 A  
 Voltage Rating: 150 V  
 Measured S.E.<sup>1</sup> Measured Differentially<sup>2</sup>

### APPROVALS:

(UL) AWM 80°C VW1  
 CSA AWM 80°C 150V FT1

### Print Legend:

**Amphenol SPECTRA-STRIP** OptiClear™ Ultra 320 SCSI Compliant  
 RJ AWM 80°C VW1 LL31941 CSA AWM I A80C 150V FT1  
 <Date Code> Spectra-Green Lead Free/PBB Free

DRAWN	PROD ENG	QA	MKT	P/ECN#	DRAWING NO.	<b>AMPHENOL SPECTRA-STRIP</b> 720 SHERMAN AVE TEL (203) 281-3200 HAMDEN CT 06514 FAX (203) 281-5872	Rev C
5/13/02	8/3/04			778	TITLE: OptiClear™ Ultra 320 SCSI		SHEET
					.025 TPO Round LPTNF®		1 of 1