

Voltage divider assembly for 51 mm (2") very fast tubes

For tube types :

XP2020	51mm (2") very fast tubes, 12 stages
XP2020/Q	
XP2254B	
XP4222B	
XP4227B	

Operating conditions :

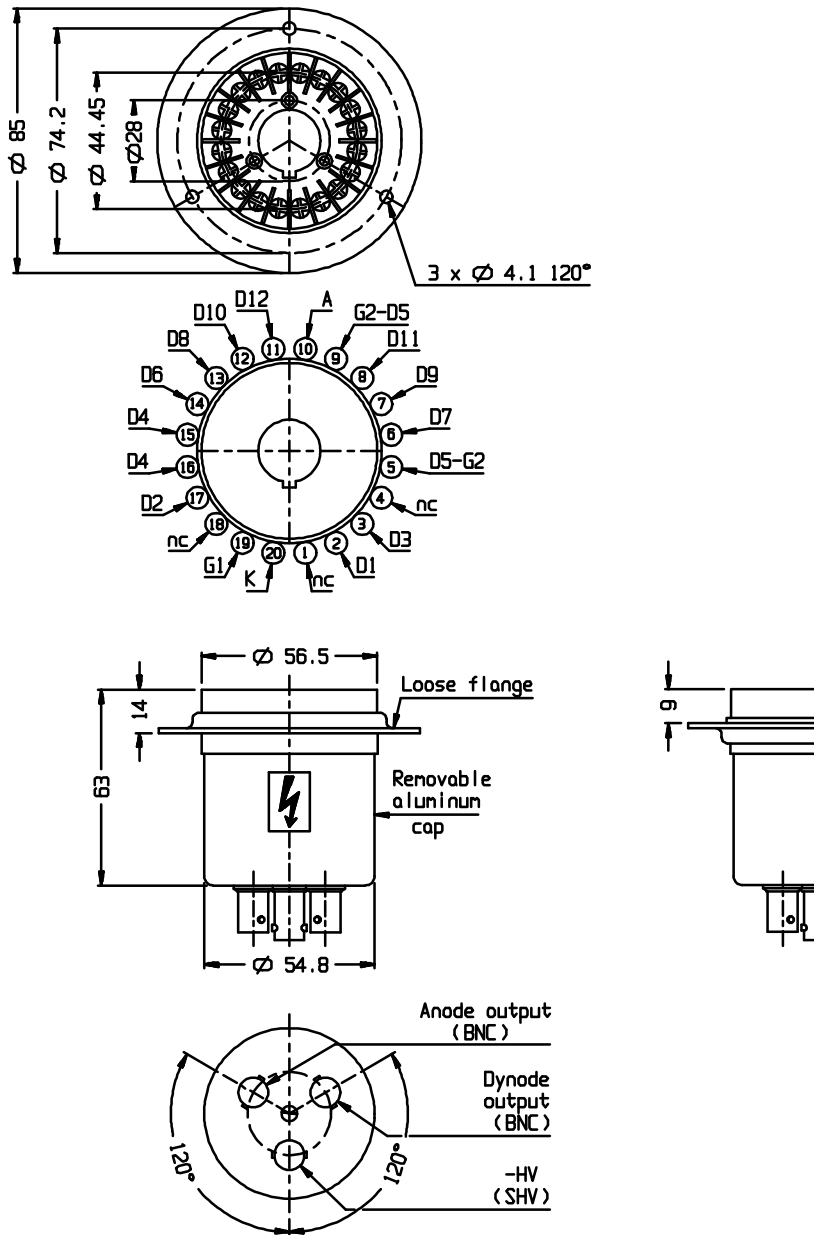
Output signal	DC or pulse output signal
Supply voltage	anode grounded (cathode at - HV)
Optimisation of	linearity, time and count rate characteristics (C type divider, see tube datasheet)

General characteristics :

Total divider static resistance	2.2	M Ω
Output load resistor	1	M Ω
Operating voltage	typ. 2500 max. 3000	V V
Dissipated power at max. voltage	4.0	W
Linearity within 4% at typ. voltage up to	58	μ A

Caution :

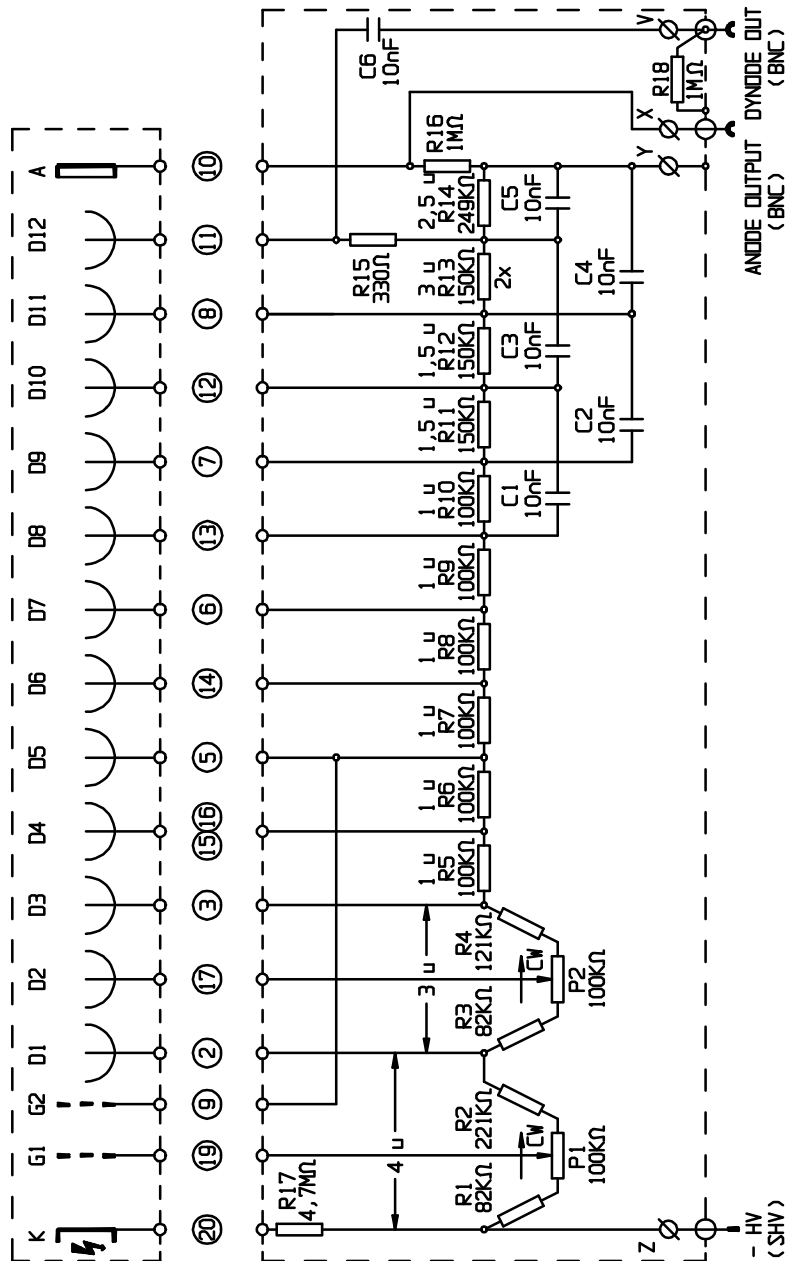
**This base assembly connects the glass envelope of the tube to high voltage.
Care should be taken to avoid electrical shock.**



Drawing reference : 99900481

K : cathode - G1 : focusing electrode - G2 : accelerating electrode
 D1 ... D12 : dynodes 1 to 12 - A : anode
 nc : not connected

The flange can be mounted from the rear side as well



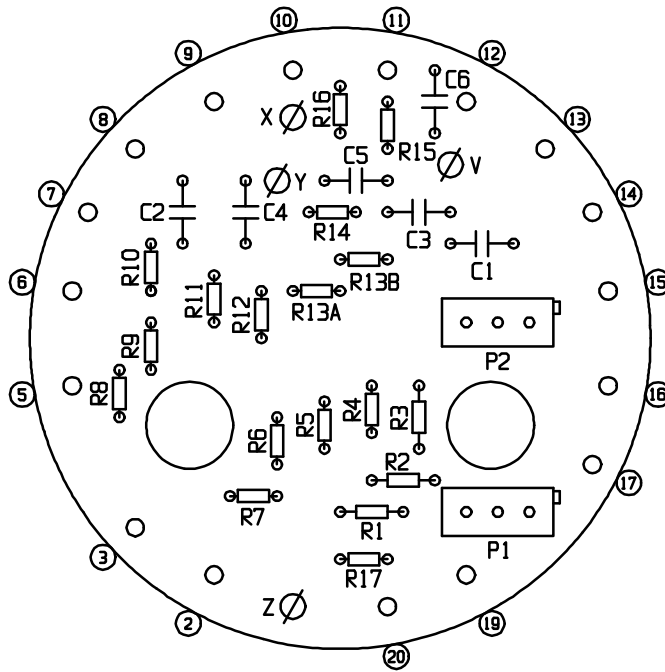
Drawing reference : 99900482

K : cathode - G1 : focusing electrode - G2 : accelerating electrode
D1 ... D12 : dynodes 1 to 12 - A : anode

Circled numbers are pin numbers

P1 is factory adjusted to 1.2 u and P2 to 1.2 u from D1.

For fine tuning remove the aluminium cap and adjust P1 and P2 with full cathode illumination



Drawing reference : 99900419

Circled numbers are pin numbers