

4

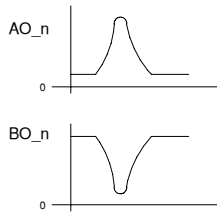
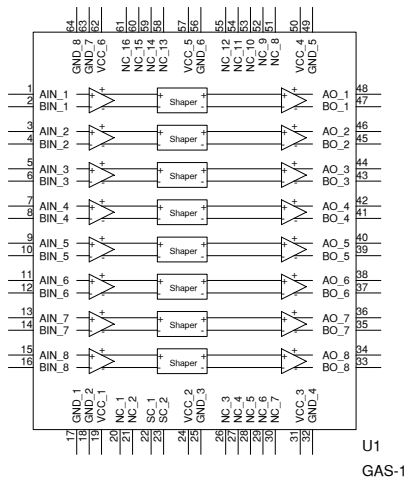
3

2

1

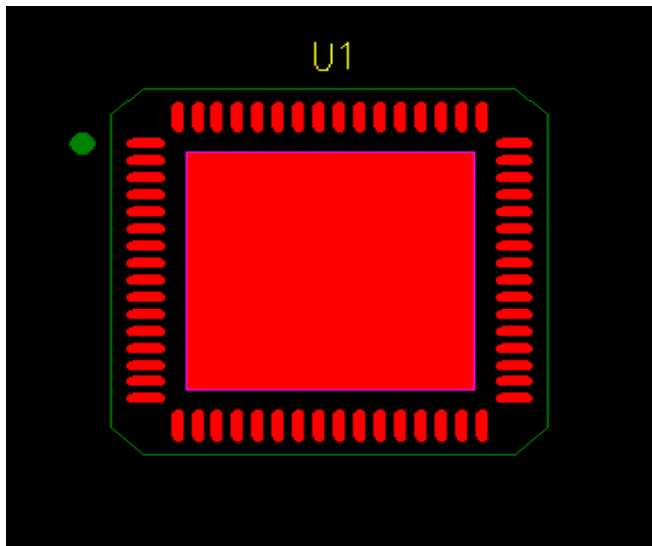
B

B



AIN_n, BIN_n	Analog Complementary Inputs
AO_n, BO_n	Complementary Outputs
VCC	+2.5V
GND	Ground
SC_1, SC_2	Shape Control
NC	Do Not Connect

QFN-64 10X10



A

A

PRELIMINARY

<u>CONFIDENTIAL INFORMATION</u>	
<u>INTELLECTUAL PROPERTY</u>	
EXCEPT AS SPECIFICALLY AUTHORIZED BY THE AUTHORS, THE INFORMATION IN THIS DOCUMENT SHALL NOT BE DISCLOSED, DISSEMINATED NOR COPIED.	
Jefferson Lab	
PROJECT	SECTION
GLUE-X AMPLIFIER SHAPER - GAS-1	PINOUT
M. NEWCOMER, F.J.BARBOSA	
SIZE	FILE
B	GAS-1
SCALE	REV
	1
SHEET	of
1	1
1-2-2007_15:19	

4

3

2

1

↑