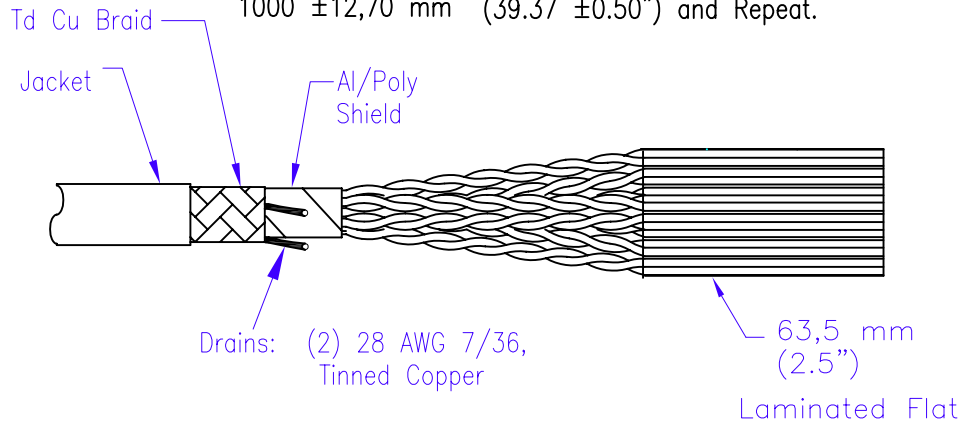


Cross Section at Flat

Center - Center of Flats:

1000 ±12,70 mm (39.37 ±0.50") and Repeat.



PHYSICAL

- Conductors: 30 AWG 7/38 Tinned Copper
- Insulation: .006" PVC
- Laminate: Polyester/Adhesive
- Color Code: 1st Pair Red/Grey followed by Blue Grey and Repeat
- Drain: (2) 28 AWG 7/36 Tinned Copper
- Shielding: .001" Alum/Poly Tape w/ 85% min Coverage Tinned Copper Braid
- Jacket: .030" Black PVC
- Temperature: 80°C

ELECTRICAL

- Impedance: 112 ohms
  - Capacitance: 20.6 pF/ft
  - Current Rating: 0.75 A
  - Insulation Res: 10<sup>10</sup> ohms - 10 ft minimum
- Above Values measured Differentially

APPROVALS:

UL CL2  
CSA AWM FT-1

Part Number	Count	Pairs	A-Span	B-Span	Ref Dia (Nom EST.)
169-3099-786	50	25	1.251" Nom	1.225" Nom	@ loose Pairs 0.315" @ Flat: 0.415"

**PRELIMINARY**

DRAWN	PROD ENG	QA	MKT	P/ECN#	DRAWING NO. 169-3099-786	<b>AMPHENOL SPECTRA-STRIP</b> 720 SHERMAN AVE TEL (203) 281-3200 HAMDEN CT 06514 FAX (203) 281-5872	Rev 1
FITTS 3/12/07	3/12/07				TITLE: Loose Pair Round		SHEET 1 of 1
					Twist 'N' Flat® Cable		