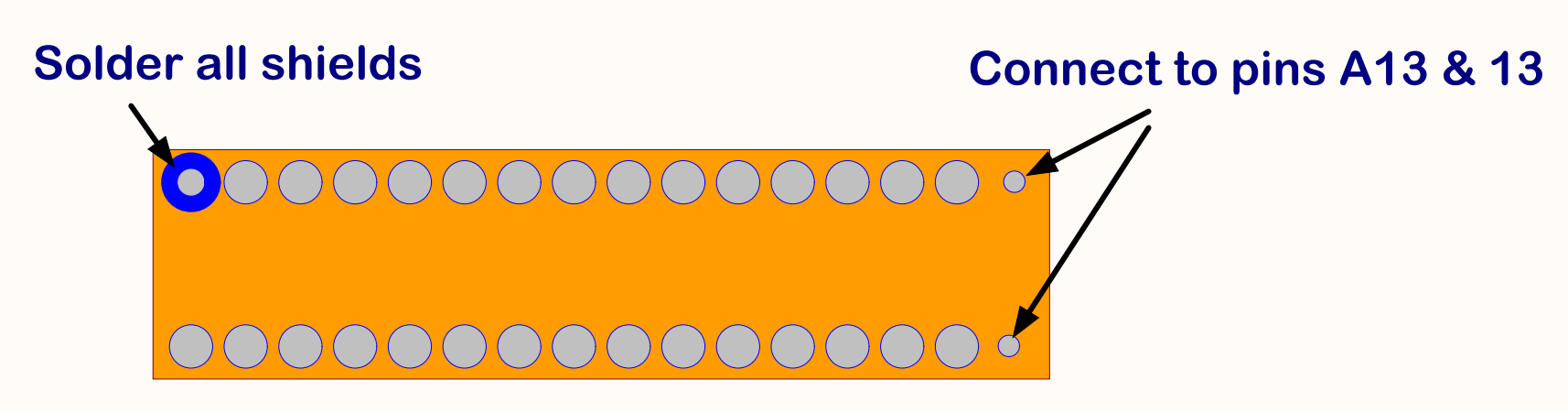
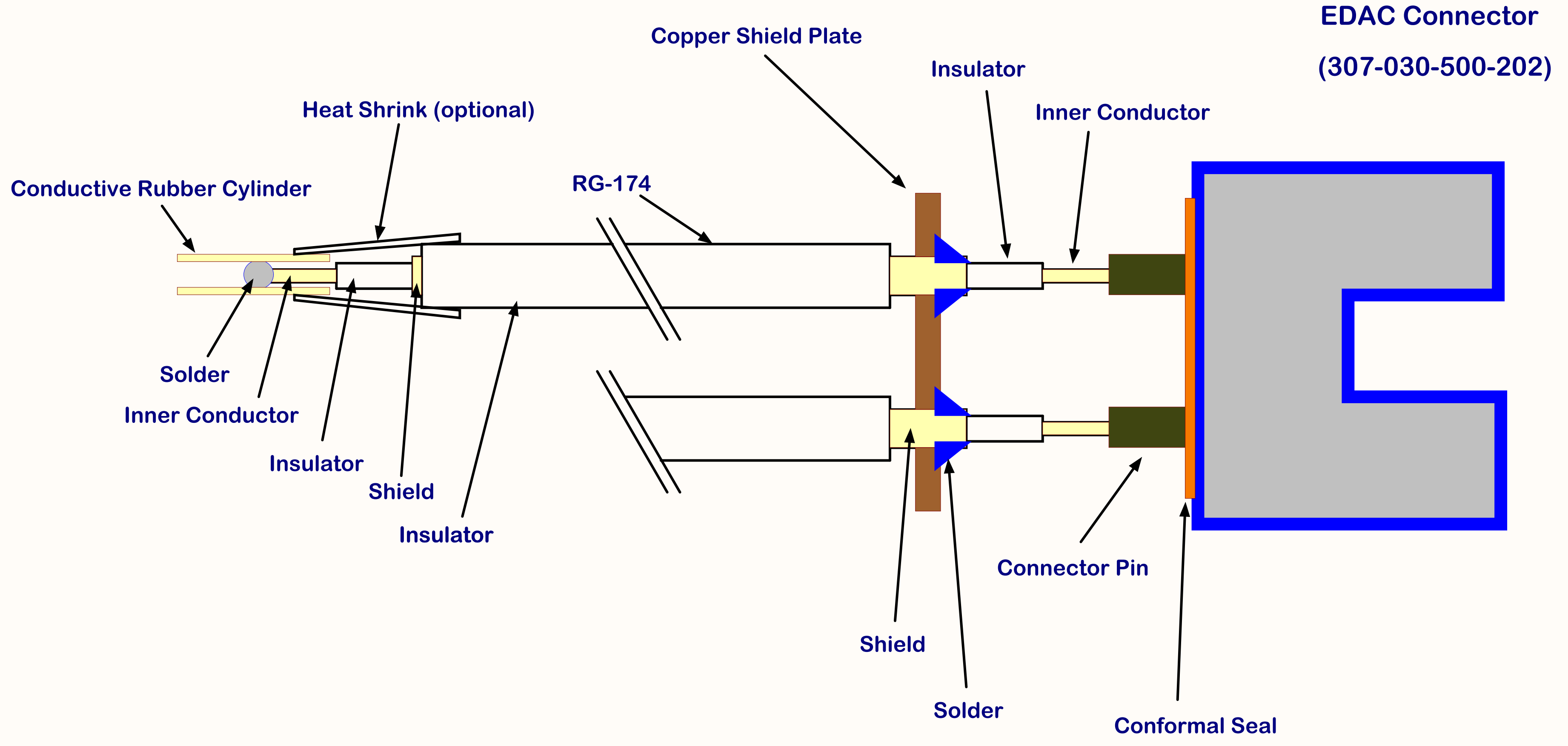
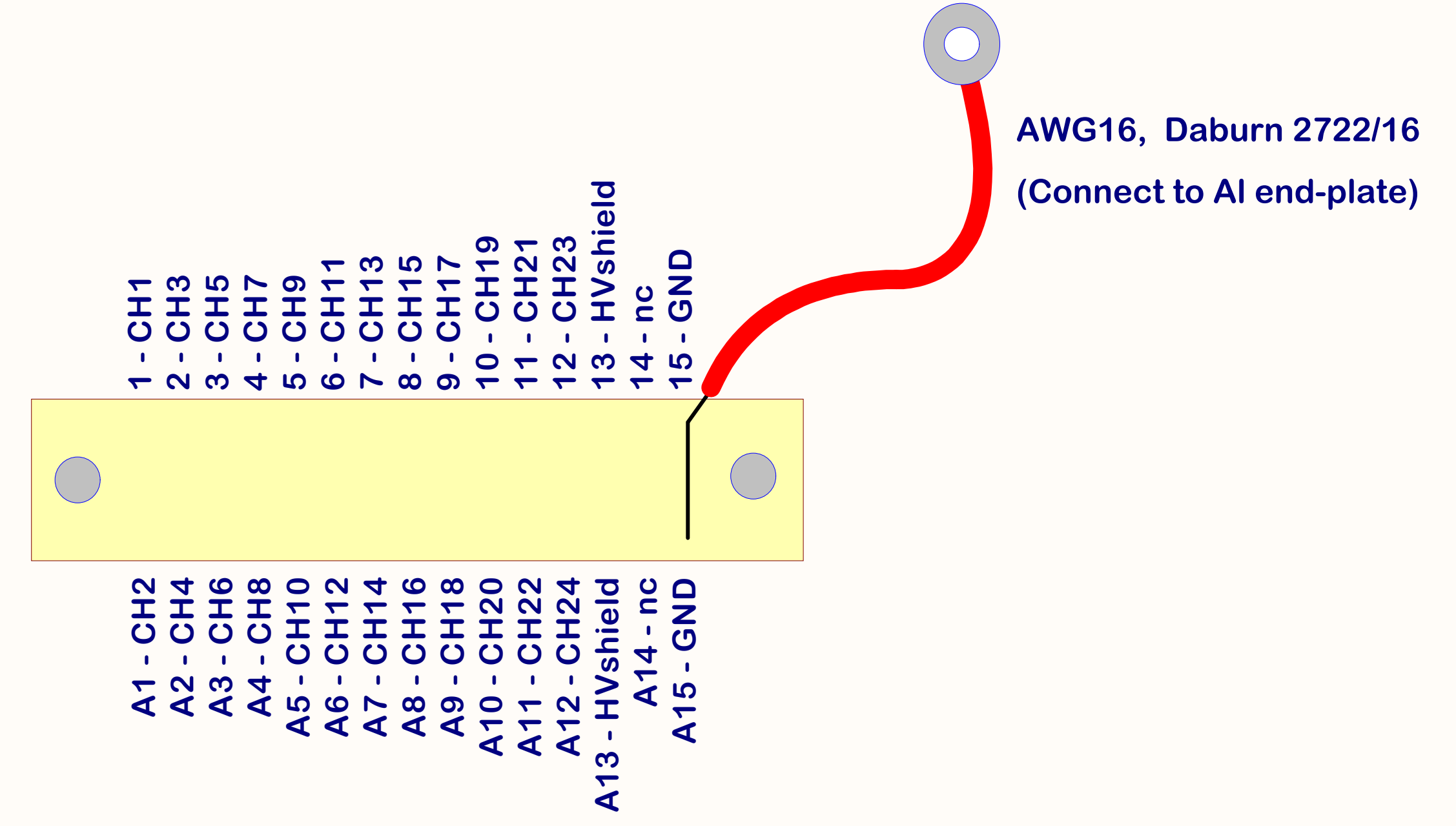


Title		
CDC Electronics Assembly		
Size	Number	Revision
A		
Date:	8/13/2008	Sheet 3 of 3
File:	C:\ALTIUM\CDC\CDC_Assembly3.SchDoc Drawn By: F.J. Barbosa	



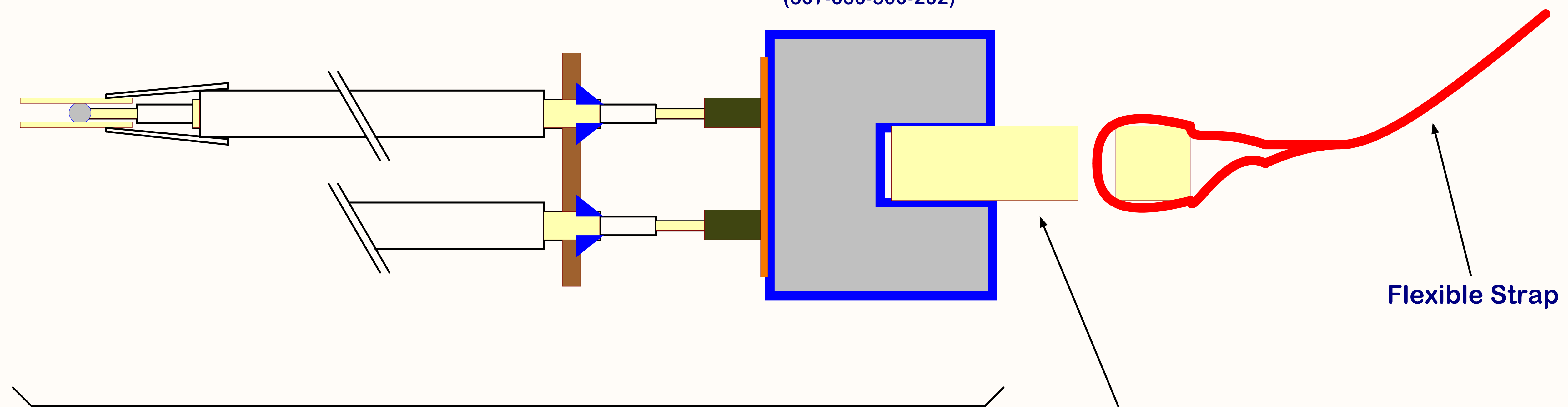
Copper Shield Plate (1/8" thick)



Connector Pinout (Pin Side View)

Title		
CDC Electronics Assembly		
Size	Number	Revision
A		
Date:	8/13/2008	Sheet 1 of 3
File:	C:\ALTIUM\CDC\CDC_Assembly1.SchDoc	Drawn By: F.J. Barbosa

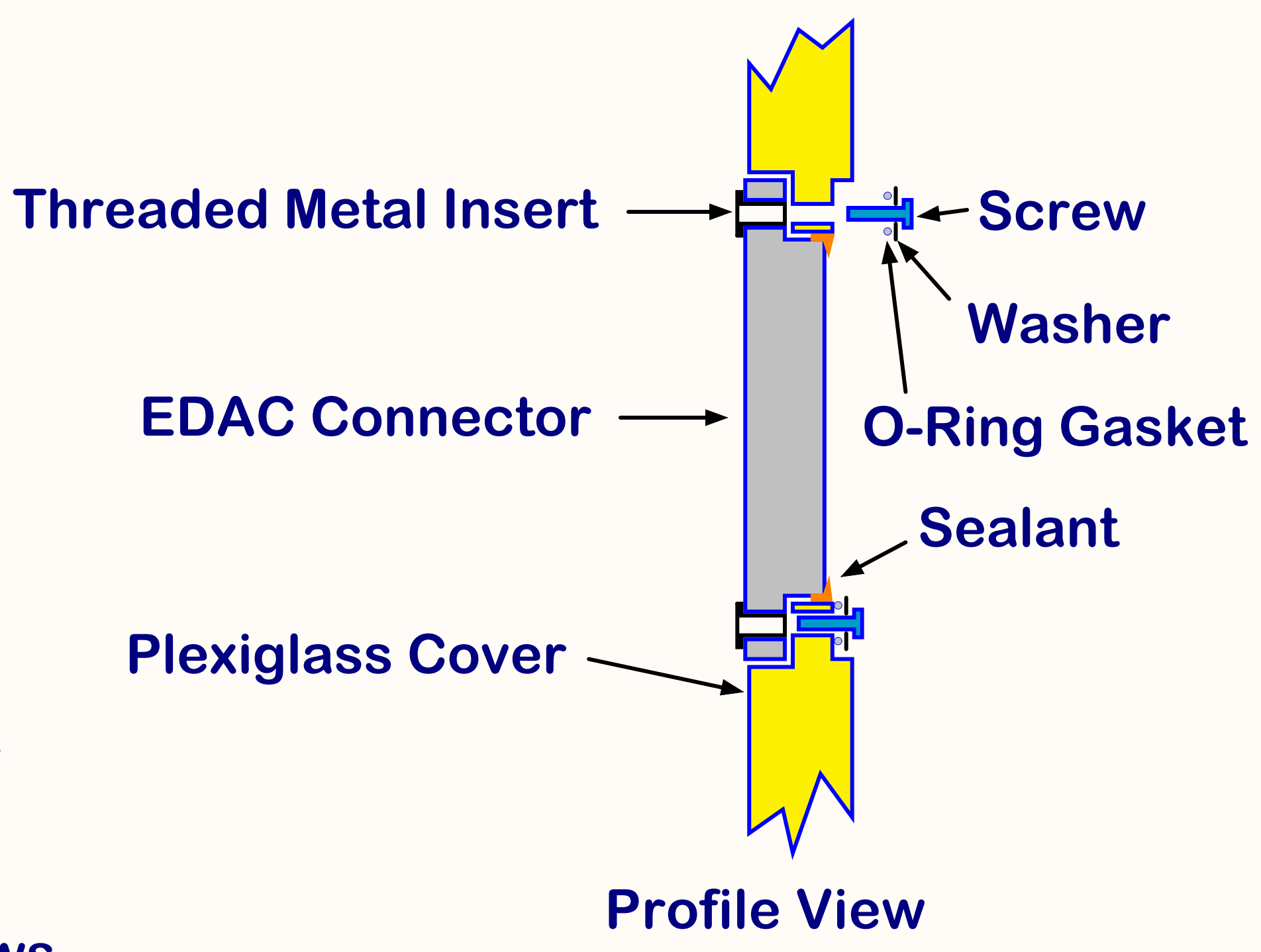
EDAC Connector
(307-030-500-202)



Connector Assembly

Assembly PCB ("dummy")

Flexible Strap



Threaded Metal Insert

Screw

Washer

EDAC Connector

O-Ring Gasket

Sealant

Plexiglass Cover

Profile View

NOTE: Connector assemblies must be cleaned properly before installation.

Assembly Procedure:

1. Connect the cables from a connector assemblies to their respective straws.
2. Step 1 can be performed with the CDC horizontal or vertical.
3. Feed the straps through the plexiglass cover holes corresponding to the connector positions.
4. Slide the plexiglass cover towards the endplate.
5. Secure connectors to the plexiglass cover with screws, O-ring gaskets and washers.
6. Rotate CDC vertical and seal around connectors with non-silicone sealant.

Title			CDC Electronics Assembly		
Size	Number		Revision		
A					
Date:	8/13/2008		Sheet 2 of	3	
File:	C:\ALTIUM\CDC\CDC_Assembly2.SchDoc		Drawn By:	F.J. Barbosa	